

ADVANCED ULTRASONIC SYSTEMS FOR A CLEANER FUTURE



TT-100N ADVANCED

Speed



Energy Savings

Robustness and Reliability
With TierraTech guarantee



Silence
60 db maximum

Ergonomics
Simplicity and comfort



Water savings
Complete watertightness that prevents
loss of water by evaporation

TT-100N ADVANCED

GENERATORS AND EMITTERS

1 Ultrasonic generator with an output power of 1000 W (2000Wp-p). With a working frequency of 40 kHz sweep system $\pm 2\%$.

1 Submersible emitter with 1000W power. Made of 0,098" inch thick stainless steel AISI 316L. The emitter contains 20 PZT (lead zirconate titanate) piezo-electric transducers with aluminium alloy body.

TECHNICAL DATA AND MEASURES

Ultrasonic cleaning tank made of 0.08" thick AISI 304L stainless steel. 0.79" thick thermal-acoustic insulation.

Tank capacity: 30.4 gallons
WFS capacity: 5.3 gallons

Tank lid made of stainless steel AISI 304L lid with 0.39" thick thermal-acoustic insulation, with an opening/closing mechanism.

Pneumatic platform made of AISI 304L stainless steel, cover with thermal-acoustic insulation and opening/closing system with pneumatic cylinder and up to 132 Lb of capacity.

WFS (Waterflow system for oil separation) An independent tank separate from the cleaning tank, designed to capture surface oils and particles, including a drainage system for oil removal.

Electrical resistance with 2250W power, made of AISI 316L stainless steel, an alloy resistant to high temperatures and corrosion.

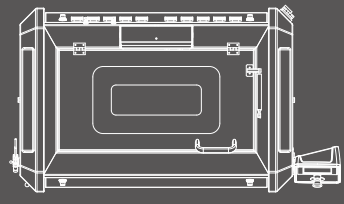
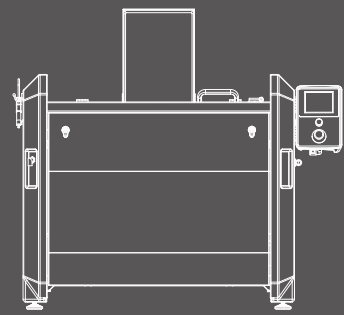
Optional: TTF1 bag filter for removing sludge from the bottom of the tank. Made of AISI 304L stainless steel, with a pressure gauge and the ability to integrate filter bags ranging from 5 to 200 μm .

CONTROL PANEL

7" Screen & TFT Display.

Time control for time control of equipment preheating, weekly calendar, alarms, heating element, as well as full control of the lifting platform and water level. It includes the ability to create different work programs.

✉ tierratech@tierratech.com



CAPACITY 30 GALLONS

INTERNAL DIMENSIONS
25"x15"x19" inch

PLATFORM DIMENSIONS
24"x12"x11" inch

EXTERNAL DIMENSIONS
51"x31"x35" inch

